



BOWCO Manhole Step INSTALLATION INSTRUCTIONS

Recommendations for: DRILLED HOLES in NEW or OLD CONCRETE

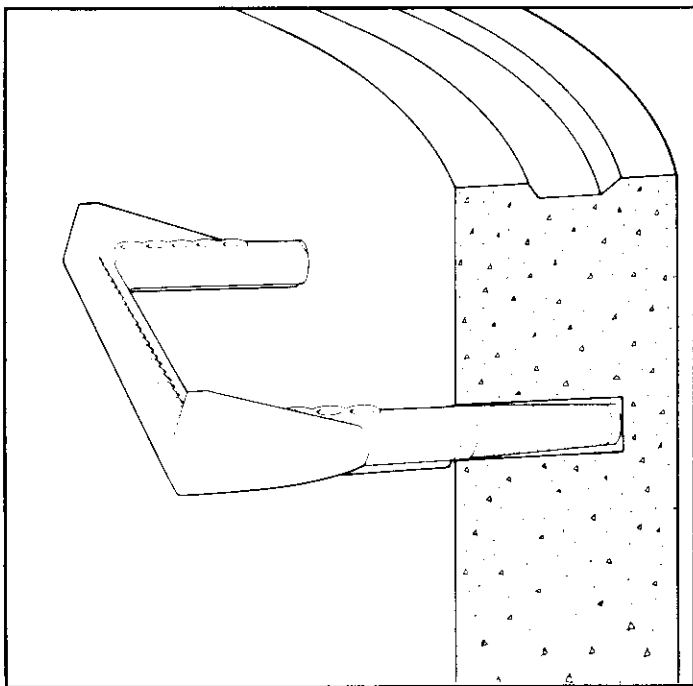
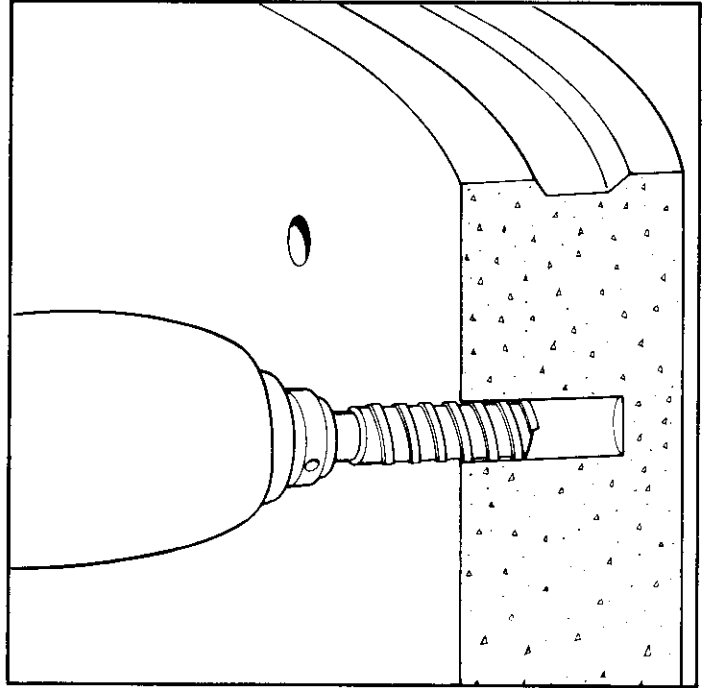
To install the BOWCO Steps into new or old concrete, use a heavy duty impact or electric drill with the appropriate size bit. Drill two holes 3 3/8" deep on 10 or 13 inch centers.

For on-the-job installation in new or rehabilitation work, drill a 1 1/8" hole and grout the step in with a non-shrink 3,000 PSI or greater grout. This method should be used by infrequent step users.

For field and in-plant installation by regular step users who have different workers install the steps, drill a hole with a 7/8" drill bit and pound the step in. A person who does not regularly drill holes in concrete, especially in round manholes, is more likely to drill oversized holes. In this situation, using a 7/8" drill bit usually produces a 1" hole.

For in-plant installation in which one or two workers do all the step installation, a 1" drill bit may be used. The steps can then be driven directly into the holes. Caution should be used because there is the smallest margin of error with this method.

The user is responsible for deciding which method is appropriate in their circumstances.



Simple Rules:

- Drill the proper size hole.
- When needed use an anchor setting compound that will set or cure to a minimum of 3,000 PSI strength.
- Insert step to full depth with only the flat surface showing.

BOWCO Industries, Inc.

(503) 653-9405 • (888) 232-9991